



C293 Mini-ITX System

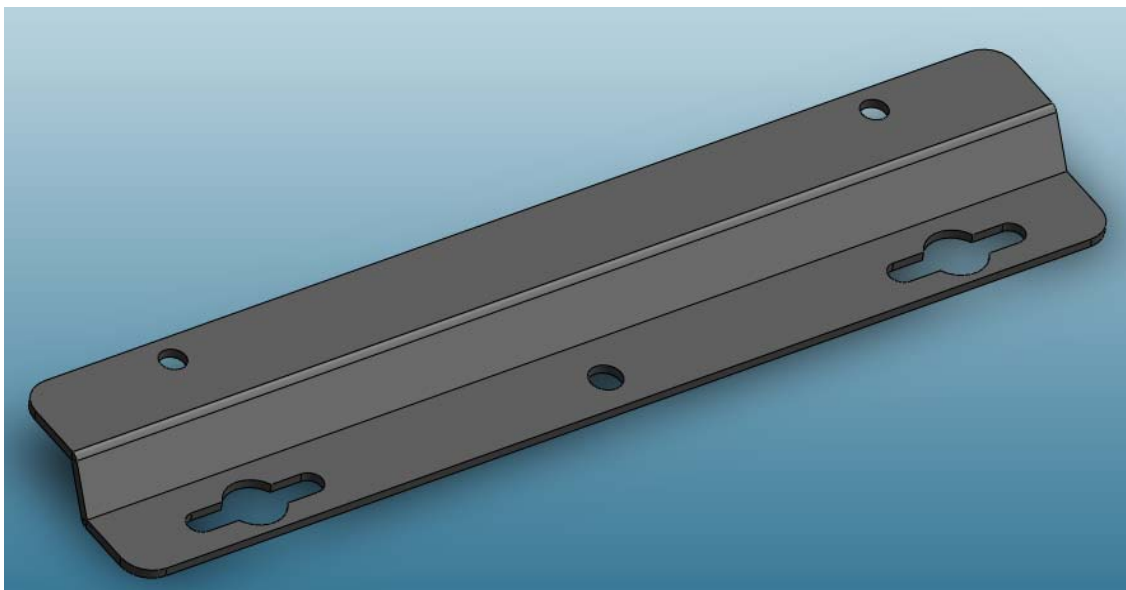
REV:A4

Dimension : 232.40(W) * 191.20(D) *56.80(H) mm
Material : Aluminum
Color :Black
Front panel: Power SW *1 , Power LED *1
Rear panel : Standard IO , DC-Jack, ANT(option)
Power : Standard: (60W,12V/5A),(80W,12V/6.6A) ,Car power DC 6~24V 120W

1.Front View:



2 Wall-Mounting bracket (optional)



3-1.Rear view (C293 I/O-STANARD)



3-2Rear view (C293-1 I/O W/RS232*2 + USB*2 optional)

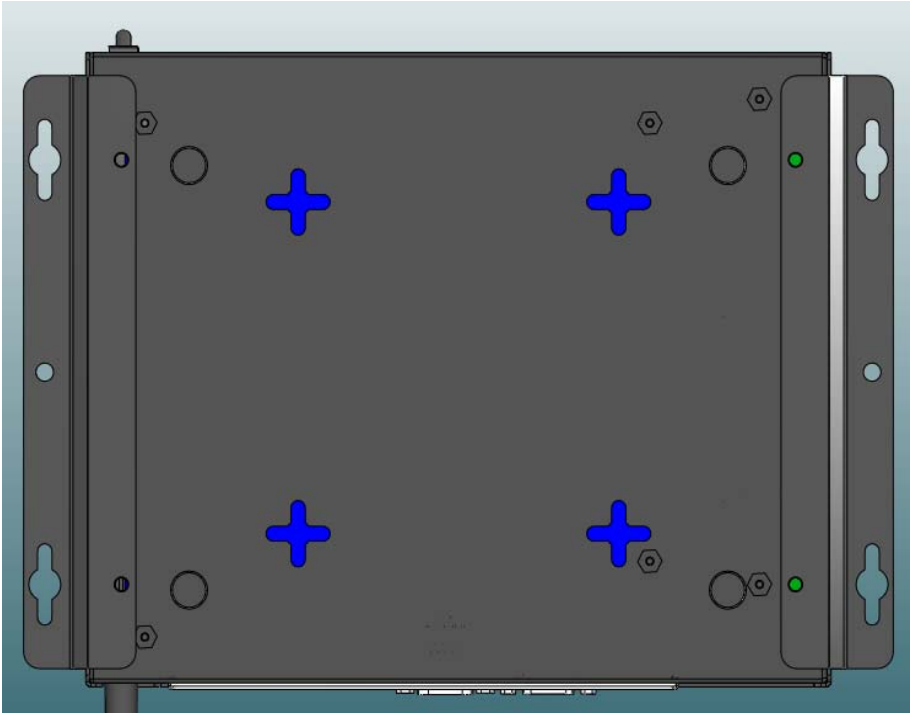


3-3.Rear view (C293-2 I/O 4CM FAN*1 optional)

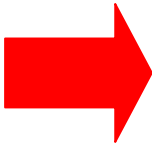




4.1.VESA Hole (Bottom View)



4.2.VESA SCREW*4 (Optional)



Travla C293 Mini-ITX CASE Drawing

2010.11.22 REV:A1

